



## PROFESSIONAL TREATMENT OF HYDROGEN SULFIDE, AMMONIA AND ODOUR FROM WASTEWATER

### APPLICATIONS:

- Pumping stations
- Sewage water treatment plant
- Sewage water
- Sanitizing



*AirMaid T model*



*Pumping station*

Wastewater generates hazardous gases like hydrogen sulfide. Working in a pumping or treatment plant is always associated with the greatest caution.

A pumping station is always associated with odours and people living nearby or just passing through often complain about bad odour.

In cooperation with municipalities and companies in Scandinavia, we have more than 10 years of experiences of gas and odour treatment with ozone.



*Sewage water treatment plant*

- Suitable for all buildings / technical constructions
- Effective air treatment, immediate effect
- Significant cost advantages in purchase, installation & operation
- Minimal maintenance and service
- Major environmental benefits
- Superior other ozone technologies

### ENVIRONMENT

#### ENVIRONMENT

AirMaid offers an advanced and environmental friendly technology for ozone production that is appreciated by operators that put safety, economy and environment in first place.

#### OZONE

Ozone is a triatomic gas formed by three oxygen molecules. Ozone is very reactive and oxidize efficiently all kinds of organic compounds.

### CGC "CORONA GLASS CELL"

AirMaid is based on a unique cell called CGC or Corona Glass Cell. Ozone is produced by electrical discharge in air.

CGC is a Swedish invention for ozone production that has a very long lifetime and is practically maintenance free.

The CGC has been on the market since 1996



*CGC "Corona Glass Cell"*

### TREE YEAR GUARANTEE

All AirMaid products are delivered with tree-years guarantee.

## INSTALLATION

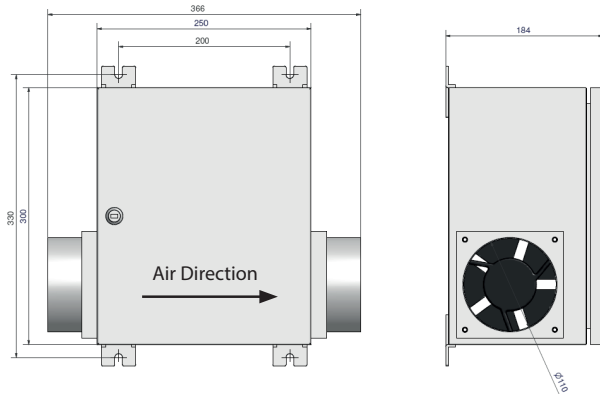
AirMaid® is designed to fit all types of buildings and technical solutions.

The generator should be installed either vertically or horizontally. Be sure that the air flow direction is correct. Ensure that the generator is not subjected to any mechanical stress. The incoming air to the generator should be clean (at least EU3-class filter) and may not exceed 40°C.

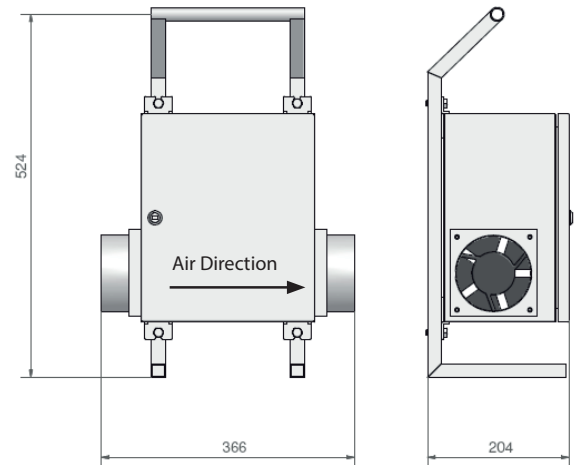
The generator comes with a 5m power cable without plug. An authorized person should connect the power cable to a two-pole safety switch.

AirMaid® is tested and functioning secured – CE marked.

### For wall mounting



### With stand (for sanitizing)



## USE

Behind the door, there is a main switch and a knob for adjusting the ozone concentration from 0 - 100%.

The front panel also has a fuse holder. Note that the fuse should be 1AT. By default the generator is supplied with Ø110mm tubes on the inlet and outlet side.

## SERVICE & MAINTENANCE

The generator has no air filter and must be provided with clean (filtered) air. If the air is not clean, there is a risk of disruption in the ozone cell. The manufacturer recommends that the ozone cell is checked regularly for optimal operation.

The first inspection should take place after a month's operation. The service intervals can be extended if the ozone cell does not become dirty.

To check the ozone cell the front panel must be removed. The cell is then easily removed by two screws. Carefully loosen the cell and control the glass tubes. If the tubes are dirty they should be cleaned with a soft towel in combination with water. Do never use any sharp tools to clean the glass tubes since they might break. Be sure that the cell is placed back in the same way again.

## TECHNICAL SPECIFICATION

AirMaid®	Ozone capacity (mg/h)	Power	Voltage	Weight
2000T	2000	100 W	230V/50 Hz	8 kg
5000T	5000	100 W	230V/50 Hz	8 kg

Material: Stainless Steel AISI 304  
 Operating temperature: -25 to +40°C  
 Fan capacity: 160m<sup>3</sup>/h (ideal)  
 Dimensions W x L x H: 250x300x180mm



Interzon AB  
 Propellervägen 4A  
 SE-183 62 Täby, Sweden

Tel: +46 8 544 444 30  
 Fax: +46 8 544 444 39  
 Email: info@interzon.com  
 Internet: www.interzon.com